



ROUND EXPLOSION VENT FOR HIGH TO FULL VACUUM AND PRESSURE CYCLING

Applications

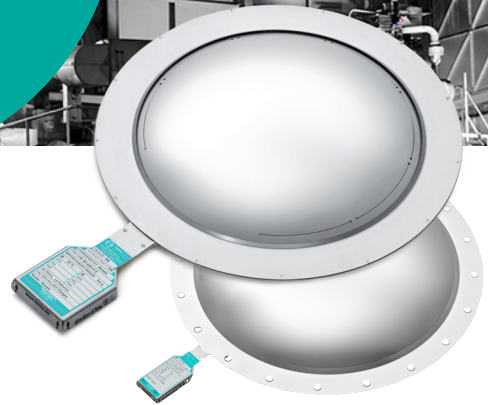
The **ODV explosion vent** is used under demanding vacuum and overpressure cyclic operating conditions. It is designed for working pressures of up to **80% of the static burst pressure**.

The ODV is ideal for use in applications such as filters with frequent jet-pulse cleaning, high vacuum or suction conveyors. The ODV is vacuum resistant and the standard burst pressure is 0.1 bar at 71.6 °F (22 °C).

The **ODU explosion vent** is ideal for applications that involve pressure cycling but no vacuum. In this version, the vacuum support layer of the ODV is replaced by a supporting third layer.

Mechanism

When pressure rises, the ODV explosion vent opens at the defined breaking point and releases the flame and pressure out of the vessel into the surrounding area.



Your advantages

- **Low response pressure with possibility of full vacuum resistance.**
- High working pressure resistance of the explosion vent offers **maximum productivity for your processes.**
- Triple-section domed construction ensures **high-pressure cycling resistance and exceptional service life.**
- **Special customized solutions** are available.

Technical data*

Standard burst pressure P_{stat}	0.1 bar
Max. permitted operating pressure	80% of P_{stat}
Temperature	-148 to +446 °F (- 100 to + 230 °C)
Material	Stainless steel
Tolerance	± 15% at standard burst pressure

*Our specialists will be pleased to assist you in finding a solution that matches your specific operating conditions.



ATEX
EC type examination
certificate no.
FSA 04 ATEX 1538 X

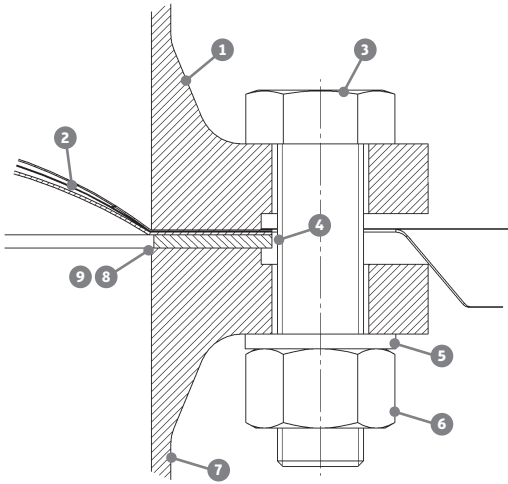
SIL equivalent SIL 4

You can find detailed information and contact details for enquiries relating to ODV and ODU explosion vents at www.rembe.us. Give us a call at: T +1 704 716 7022 or contact us via email: info@rembe.us



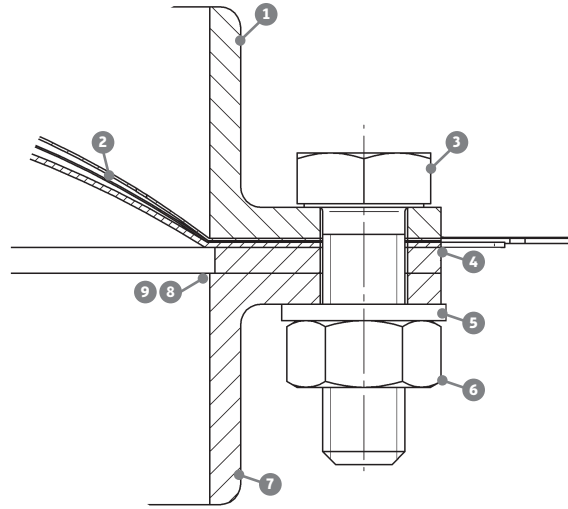


Installation options



Installation between flanges.

- ① Outlet flange
- ② Explosion vent
- ③ Bolt
- ④ Gasket
- ⑤ Washer
- ⑥ Nut
- ⑦ Inlet flange
- ⑧ Edge ($r \leq 2\text{ mm}$)
- ⑨ Opening



Installation between angular rings.

- ① Outlet angular ring
- ② Explosion vent
- ③ Bolt
- ④ Gasket
- ⑤ Washer
- ⑥ Nut
- ⑦ Inlet angular ring
- ⑧ Edge ($r \leq 2\text{ mm}$)
- ⑨ Opening

Standard dimensions

DN [in]	[mm]	Effective venting area		Vacuum standard [mm WC]	Vacuum max. [mm WC]
		[sq in]	cm ²		
7.87	200	37.98	245	6000	10000
11.81	300	93	600	6000	10000
15.75	400	155	1000	5000	10000
19.69	500	257.30	1660	5000	10000
23.62	600	387.50	2500	3000	8000
27.56	700	542.50	3500	2000	5000
31.50	800	713	4600	1500	3000
35.43	900	914.50	5900	800	1000
39.37	1000	1147	7400	800	1000
43.31	1100	1387.25	8950	500	500
47.24	1200	1550	10000	500	500
51.18	1300	193.75	12500	100	100
55.12	1400	232.50	15000	100	100

Other dimensions available on request.

Consulting. Engineering. Products. Service.